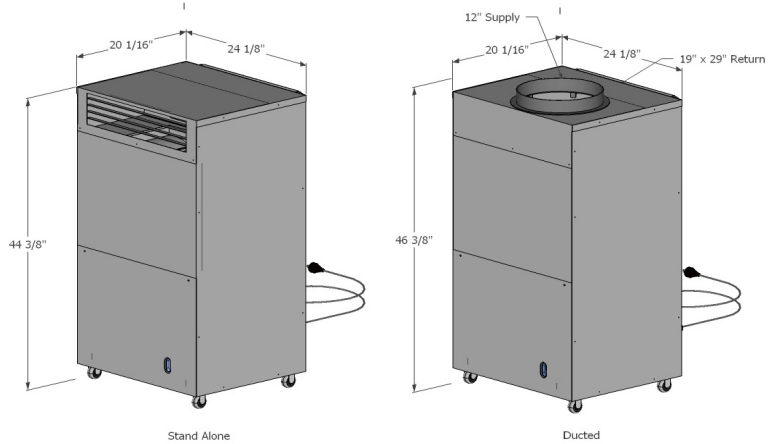


Well-Connect Model WCVC24 Technical Specifications



Physical Data:	
Height	44"
Width	24"
Depth	20"
Weight	240 lbs
Filter Size	20" x 30" x 1"
Minimum Clearances	6" to Sides 2' to Top 3' to Front
Max. Static	0.5"
Refrigerant	R-410A
Total Charge	54 oz

Electrical Data:	
60 Hz Power	230V - 1 Phase
Max. Fuse/Breaker	20.0 Amps
Min. Circuit Amps	18.6 Amps
Total Unit FLA	15.4 Amps
Compressor RLA	12.8 Amps
Compressor LRA	64.0 Amps
Blower Motor FLA	2.6 Amps
Connection Type	NEMA 6-20 plug, 4' Cord
Unit capacity (MBTUH)	Nominal 2.5 tons (30,000 btu/hr)



Water:	
Required Flow (min/max pressure: 15 to 75 psi)	Nominal 3.5 GPM (internal flow regulator)
Minimum Incoming Water Temp @ 3.5 gpm	45°F (7.5°C)
Unit Water Connections	3/4" Female Hose Thread (Supply & Discharge)
Maximum Discharge Height Above Unit	10 ft. (Minimum 3/4" ID pipe size)

Performance Data:					
Heating	COP	Power Input	Cooling	EER	Power Input
27,979 btu/hr	4.53	1,809 watts	31,176 btu/hr	21.68	1,438 watts
<small>Tested in accordance with ISO Standard 13526-1, which includes corrections for pumping and fan power. Heating capacity based on 68°F DB/59°F WB entering air temperature. Cooling capacity based on 80.6°F DB/66.2°F WB entering air temperature. Entering water temperature: 50°F heating / 59°F cooling. Ground Water Heat Pump Application (GWHP). Nominal airflow 1000 CFM</small>					

Standard Features:	Optional Accessories:
ECM Constant Torque Blower Motor Wireless 2-stage Digital Thermostat 2 nd Stage Heating & Cooling Relays Cupro-Nickel Water Coil w/Freeze Clean Function	Return Air Plenum with Duct Collar 'Easy-Clean' Spin Down Water Filter Installation Kits for PEX or PVC Plumbing Custom Cabinet Finishes for Stand-Along Models